

# ROTAPULS • ROTACOD

Wire actuated transducer for encoders

Series

**SAK**



- Reinforced winding mechanism
- Measuring length up to 15.000 mm



SAK

## SUITABLE ENCODER

I58-H-3000ZCU46RL2 (see on page 11):	Incremental encoder
I58-H-3000ZCZ46R + EPFL121 (see on page 11):	Incremental encoder
AM5812/4096PS-6 + EPFL121 (see on page 11):	SSI programmable absolute encoder
AM5812/4096GS-6 + E10MLS (see on page 11):	SSI absolute encoder
AM5812/4096PB-6 + CC-PB (see on page 11):	Profibus absolute encoder

## ENVIRONMENTAL SPECIFICATIONS

Operating temperature range:	-20°C + 70°C
Protection:	see encoder

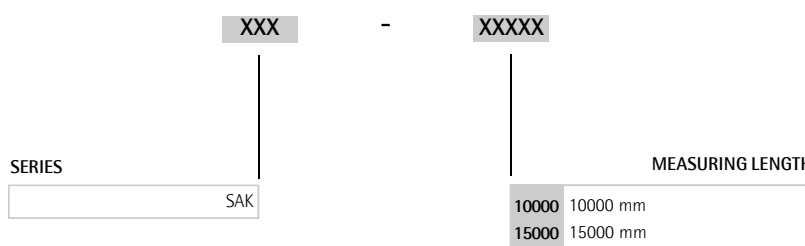
## MECHANICAL SPECIFICATIONS

Dimensions:	see drawing
Stroke per turn:	300 mm
Wire retraction force:	5 ± 15 N
Measuring length:	10.000, 15.000 mm
Measuring speed:	10 m/sec max.
Acceleration:	1,4 g max.
Linearity:	± 0,05% FS max.
Weight:	~ 9 kg (except encoder)

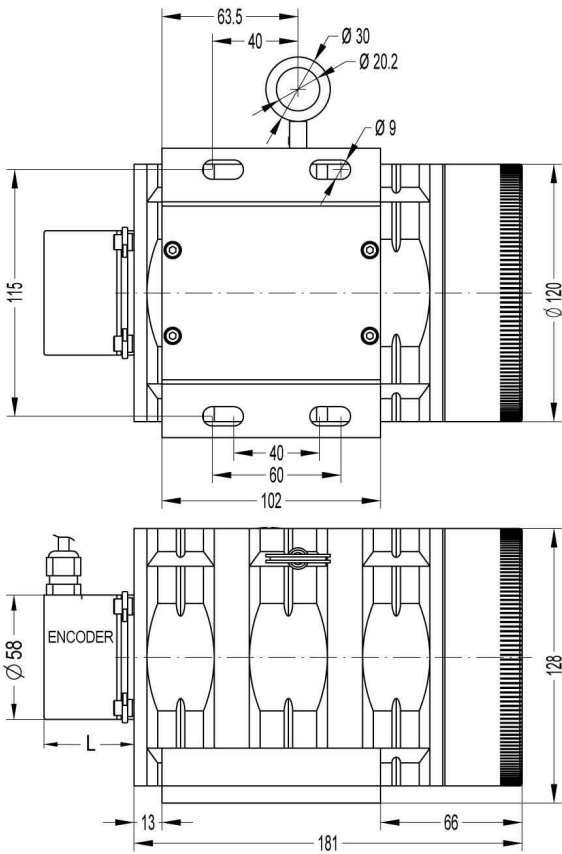
## MATERIALS

Housing:	Aluminium
Wire:	Stainless steel

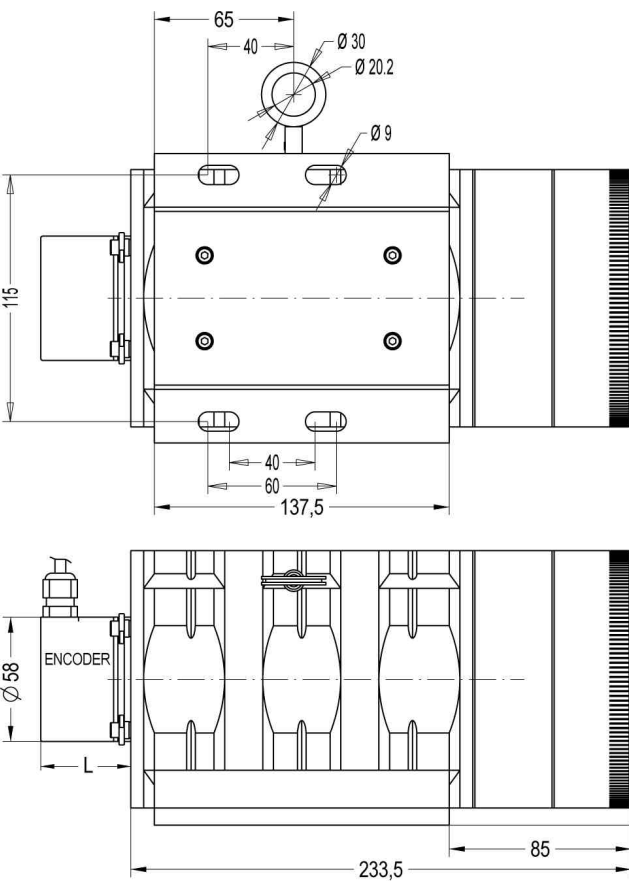
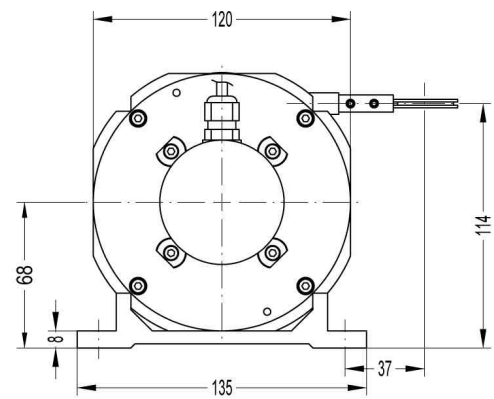
## ORDERING CODE



[www.lika-electronic.de](http://www.lika-electronic.de)  
[www.lika.it](http://www.lika.it)  
 • Datenblatt/Data-sheet



SAK-10000



SAK-15000

